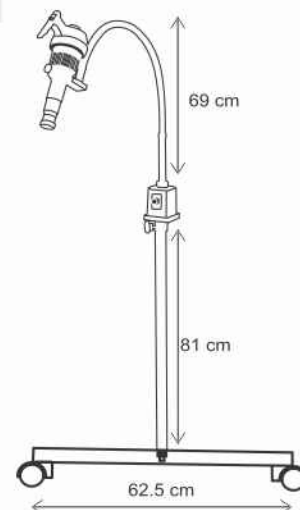


Focusable Halogen
Examination Light
Floor Model

EASY TO MOVE
FOCUSABLE
SPOT LIGHT

SPARX EL1005
Floor model

Technical Drawing



Technical Data

Arm	: Articulated arm with on/off switch on lamp's head and incorporated electronic transformer.
Length of arm	: 69cm
Voltage	: 230 V.
Bulb	: 12V/ 50w, halogen bulb
Dome	: Polycarbonate, Focusable
Base	: chrome plated.

Applications : Doctors examination rooms • Accident & Emergency department • Operation theatre ancillary rooms • Intensive care wards